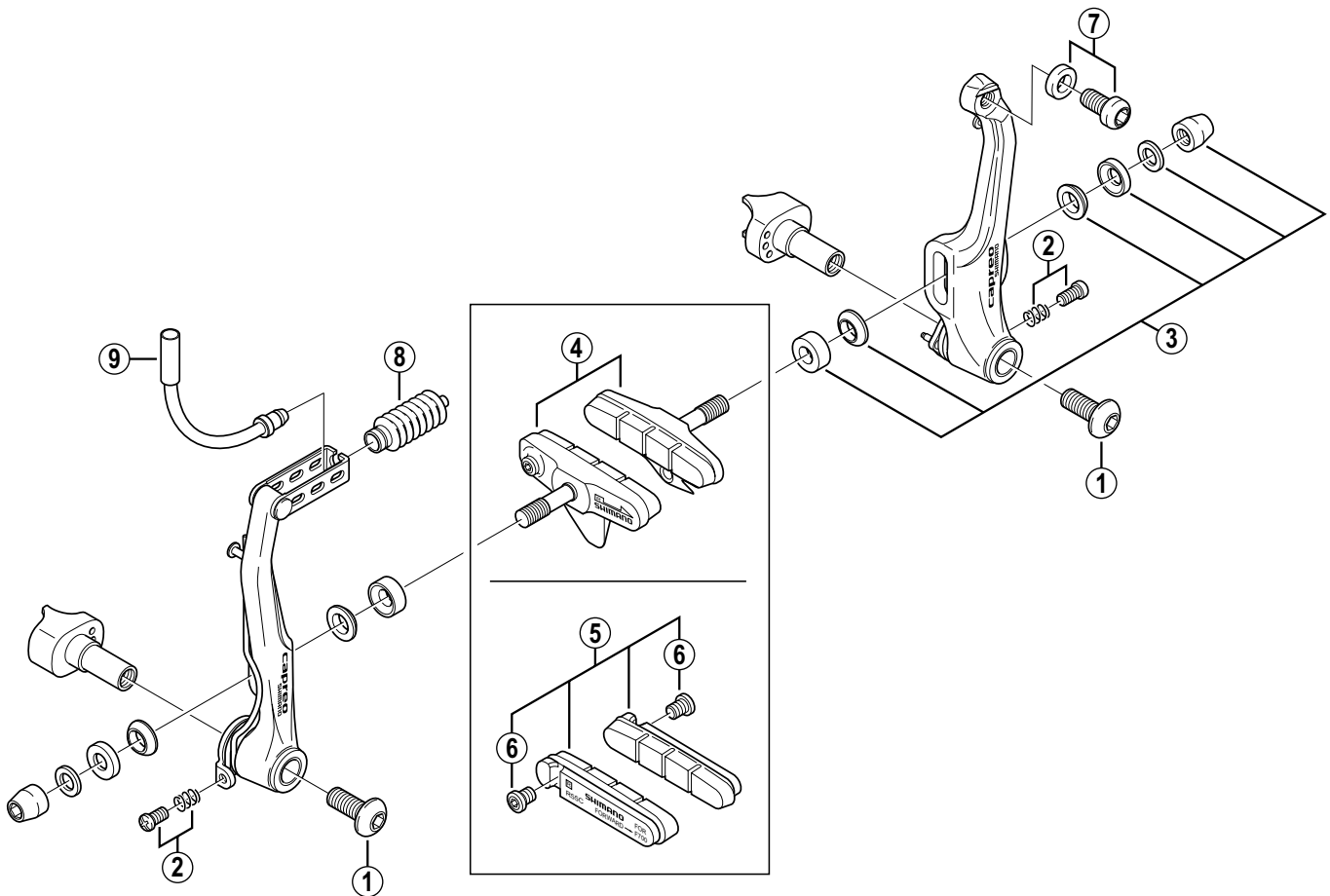


# SHIMANO CAPREO V-Brake BR-F700



BR-M420  
BR-M430

ITEM NO.	SHIMANO CODE NO.	DESCRIPTION	INTERCHANGEABILITY	
			BR-M420	BR-M430
1	<b>Y-82N 18800</b>	Link Fixing Bolt (M6 x 16)	B	A
2	<b>Y-8B0 98010</b>	Spring Tension Adjustment Screw (M4 x 7) & Stopper	A	A
3	<b>Y-8B0 98030</b>	Shoe Fixing Nut Unit	A	A
4	<b>Y-8CU 98010</b>	R55C Cartridge-Type Brake Shoe Set (Pair)		
5	<b>Y-8CU 98020</b>	R55C Cartridge-Type Brake Shoes & Fixing Bolts (Pair)		
6	<b>Y-8FA 17000</b>	Fixing Bolt (M4 x 5.5)		
7	<b>Y-8B0 98020</b>	Cable Fixing Bolt (M6 x 11.5) & Plate		
8	<b>Y-8BP 14000</b>	Boot	A	A
9	<b>Y-8AA 98070</b>	Inner Cable Lead Unit (90°: Middle)	A	A
	<b>Y-8AA 98080</b>	Inner Cable Lead Unit (135°: Long)	A	A
	<b>Y-8AA 98120</b>	Inner Cable Lead Unit (45°: Short)	A	A

A : Same parts.

B : Parts are usable, but differ in materials, appearance, finish, size, etc.

Absence of mark indicates non-interchangeability.

0212-2177'

Specifications are subject to change without notice.

# SHIMANO



© 2002 by Shimano Inc.