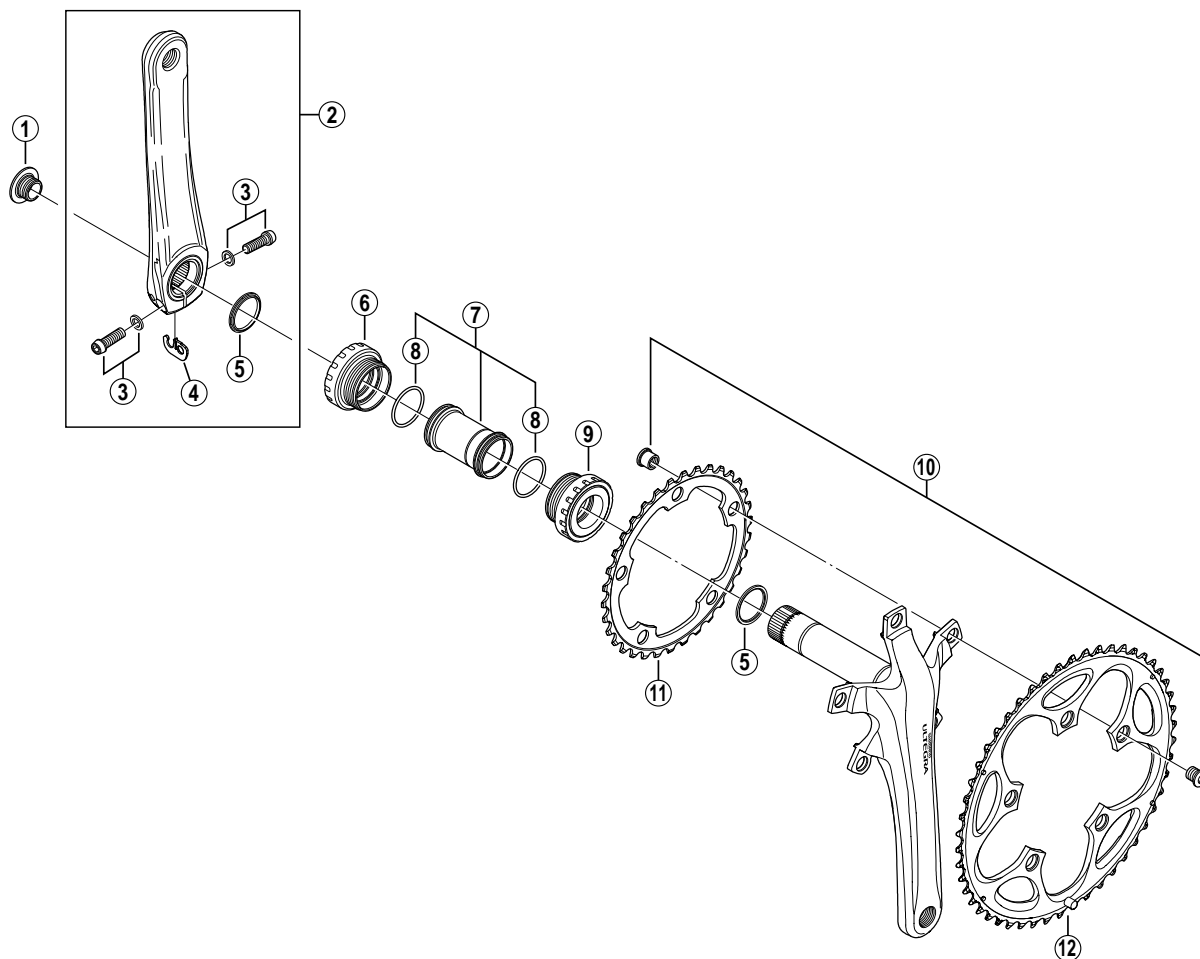


ULTEGRA Front Chainwheel

FC-6650-S Silver Version



• Bolt circle diameter: 110 mm

ITEM NO.	SHIMANO CODE NO.	DESCRIPTION	INTERCHANGEABILITY		
			FC-R700	FC-5650	FC-R600
1	Y-1G3 11000	Crank Arm Fixing Bolt	A	A	B
2	Y-1G3 98220	Left Hand Crank Arm 165 mm			
	Y-1G3 98230	Left Hand Crank Arm 170 mm			
	Y-1G3 98240	Left Hand Crank Arm 172.5 mm			
	Y-1G3 98250	Left Hand Crank Arm 175 mm			
3	Y-1G3 98010	Clamp Bolt (M6 x 19) & Washer	A	A	A
4	Y-1GE98050	Plate	A	A	A
5	Y-1F3 16000	Ring	A	A	A
6	Y-1G3 98130	Left Hand Adapter (B.C.1.37" x 24T) English Thread			
	Y-1G3 98140	Left Hand Adapter (M36 x 24T) Italian Thread			
7	Y-1G3 98150	Inner Cover & O-Ring	A	A	B
8	Y-1TF 21000	O-Ring	A	A	A
9	Y-1G3 98160	Right Hand Adapter (B.C.1.37" x 24T) English Thread			
	Y-1G3 98170	Right Hand Adapter (M36 x 24T) Italian Thread			
10	Y-1G3 98020	Gear Fixing Bolt (M8 x 8.5) & Nut (5 sets)	A	B	
11	Y-1H0 34000	Chainring 34T (Silver)	A	B	B
12	Y-1JK 98010	Chainring 50T (Silver)	B		B

A: Same parts.

B: Parts are usable, but differ in materials, appearance, finish, size, etc.
Absence of mark indicates non-interchangeability.

0706-2766

Specifications are subject to change without notice.

SHIMANO