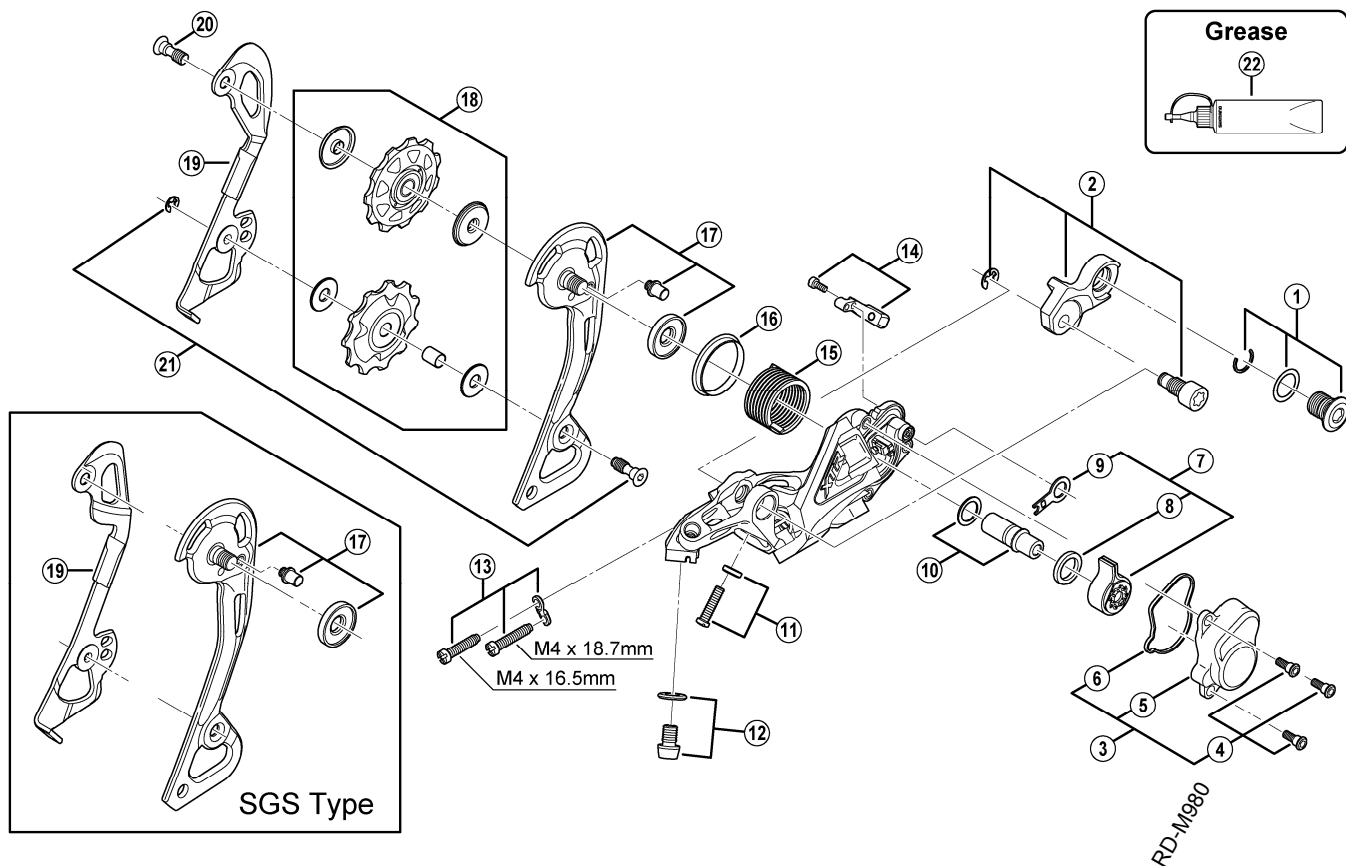


XTR Rear Derailleur

**RD-M985** (GS) Long Cage

**RD-M985** (SGS) Super Long Cage



ITEM NO.	SHIMANO CODE NO.	DESCRIPTION	INTERCHANGEABILITY
1	Y5XC98010	B-Axle Assembly	A
2	Y5XC98020	Bracket Axle Unit	A
3	Y5XD98010	P-Cover Unit	
4	Y5XD98020	P-Cover Bolt Set (3 pcs.)	
5	Y5XD20000	P-Cover	
6	Y5XD21000	P-Cover Packing	
7	Y5XD98030	Stabilizer Unit	
8	Y5XD38000	P-Axle Washer 2	
9	Y5XD35000	Switch Stabilizer	
10	Y5XD98050	P-Axle Unit & Washer	
11	Y5XC98040	B-Tension Adjusting Screw (M4 x 15.1) & Plate	A
12	Y5XC98050	Cable Fixing Bolt (M6 x 8) & Plate	A
13	Y5WJ98020	Adjusting Screws & Plate	A
14	Y5XD98070	Switch Lever Unit & Bolt (M2.6 x 6)	
15	Y5XD19000	P-Tension Spring	
16	Y5XD15000	P-Seal Ring	
17	Y5XD98090	Outer Plate Assembly (GS-Type)	
	Y5XD98100	Outer Plate Assembly (SGS-Type)	
18	Y5XC98110	Guide & Tension Pulley Unit	A
19	Y5XC09000	Inner Plate (GS-Type)	A
	Y5XC10000	Inner Plate (SGS-Type)	A
20	Y5WJ21000	Guide Pulley Bolt	A
21	Y5XC98100	Tension Pulley Bolt & Stop Ring	A
22	Y04120800	Grease for Stabilizer (Net. 100g)	

A: Same parts.

B: Parts are usable, but differ in materials, appearance, finish, size, etc.

Absence of mark indicates non-interchangeability.

Apr.-2011-3156

© Shimano Inc. A

Specifications are subject to change without notice.

**SHIMANO**