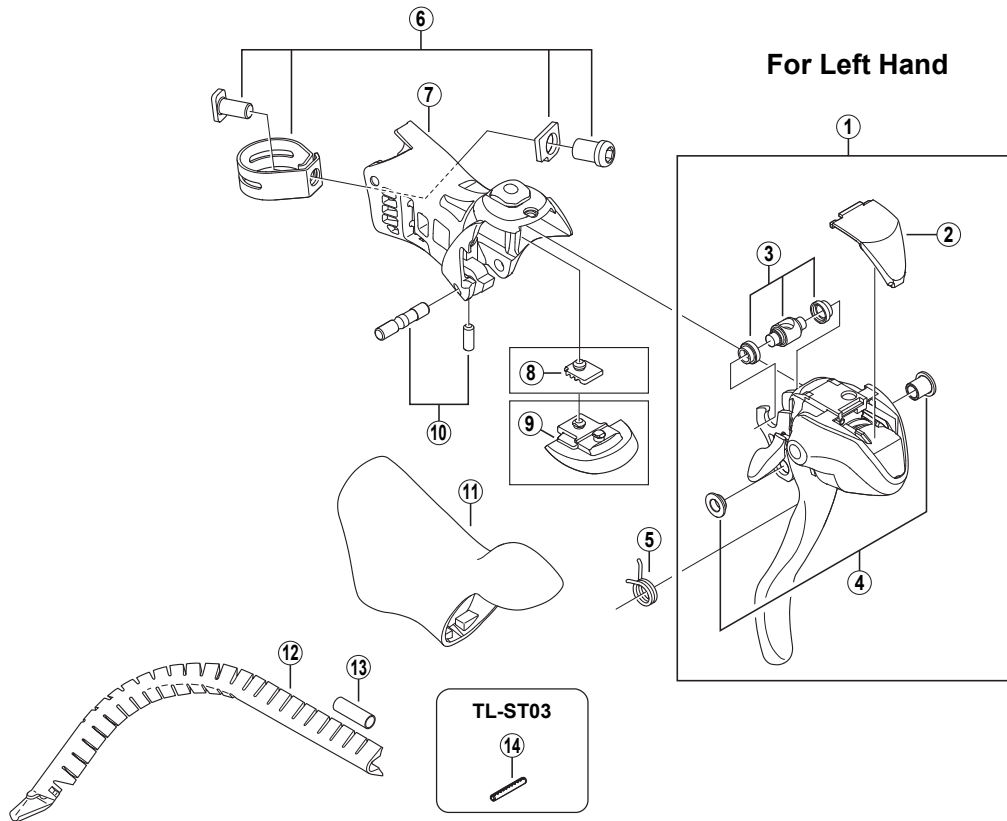


SHIMANO Dual Control Lever ST-2303 For Triple Gear



ITEM NO.	SHIMANO CODE NO.	DESCRIPTION	INTERCHANGEABILITY
1	Y-6SH98010	L.H. Main Lever Assembly	
2	Y-6SG45000	Indicator Lens	
3	Y-6CU98050	Cable Hook Unit	
4	Y-85Z 98010	Lever Axle Bush Unit	
5	Y-6K2 87100	L.H. Return Spring	
6	Y-6K2 98060	Clamp Band Unit ($\phi 23.8$ mm — $\phi 24.2$ mm)	
7	Y-6LT 22000	L.H. Bracket	
8	Y-6K2 50010	Bump Rubber	
9	Y-6LT 24000	L.H. Adjustment Block (8°)	
	Y-6LT 25000	L.H. Adjustment Block (4°)	
10	Y-6KD98060	Lever Axle & Fixing Screw	
11	Y-6LT 23000	L.H. Bracket Cover	
12	Y-86B 90010	Outer Cable Guide	
13	Y-877 11000	Outer Cable Joint	
14	Y-130 03200	Return Spring Installation Tool (TL-ST03)	

A: Same parts.

B: Parts are usable, but differ in materials, appearance, finish, size, etc.

Absence of mark indicates non-interchangeability.

0904-2941

Specifications are subject to change without notice.

SHIMANO