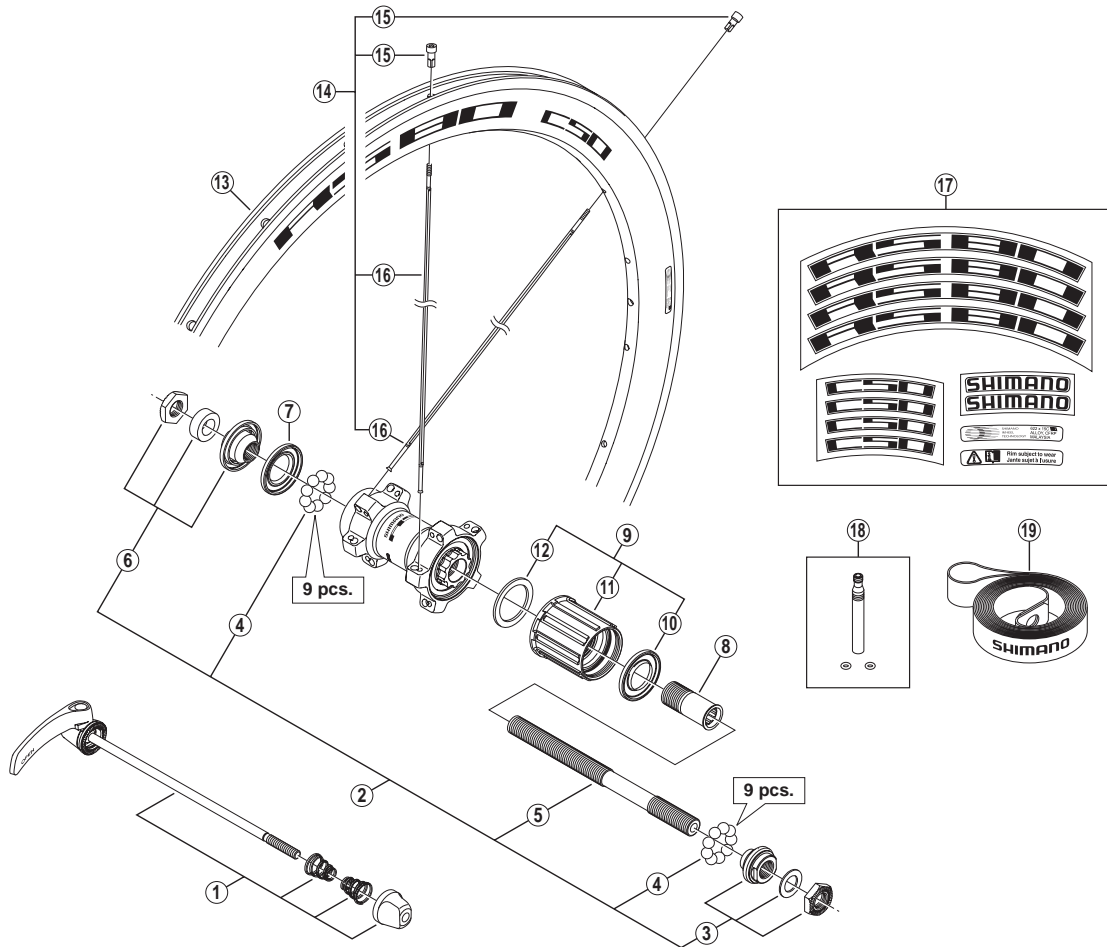


Rear Wheel

WH-RS80-C50-CL-R 8/9/10-Speed



• Over Lock Nut Dimension: 100 mm (3-15/16")

ITEM NO.	SHIMANO CODE NO.	DESCRIPTION	INTERCHANGEABILITY
1	Y4F898040	Complete Quick Release 163 mm (6-13/32")	A B B
	Y4GW98060	Complete Quick Release 168 mm (6-5/8")	A B B
2	Y4GW98070	Complete Hub Axle 141 mm (5-9/16")	
3	Y4EW98080	Right Hand Lock Nut Unit	A A A
4	Y00091310	Steel Ball (1/4") 18 pcs.	A A A
5	Y30K01100	Hub Axle 141 mm (5-9/16")	
6	Y4GW98080	Left Hand Lock Nut Unit	A A A
7	Y3CR09000	Left Hand Seal Ring	
8	Y35904000	Body Fixing Bolt	A A A
9	Y4DV98110	Complete Freewheel Body	A A A
10	Y3CR08000	Right Hand Seal Ring	A A A
11	Y4DV98120	Freewheel Body Unit	A A A
12	Y37504000	Freewheel Body Washer	A A A
* 13	EWHRIM2PRECC	Rim {20H}	
* 14	EWHSPOKE2MB1	Spoke Unit {Spoke (278 mm x 20 pcs.) / Nipple (20 pcs.)}	
15	Y012Z4070	Nipple	B A A
16	Y012AN787	Spoke (278 mm)	
17	Y4GW98050	Rim Sticker Unit	
18	Y4CS98030	Valve Extension & O-Rings	
19	EWHRIMTAPERA	Rim Tape	A A A

WH-RS80-C24-CL-R
WH-RS30-A-R
WH-RS20-R

A: Same parts.

B: Parts are usable, but differ in materials, appearance, finish, size, etc.

Absence of mark indicates non-interchangeability.

Jan.-2011-3124A

© Shimano Inc. I

Specifications are subject to change without notice.

SHIMANO